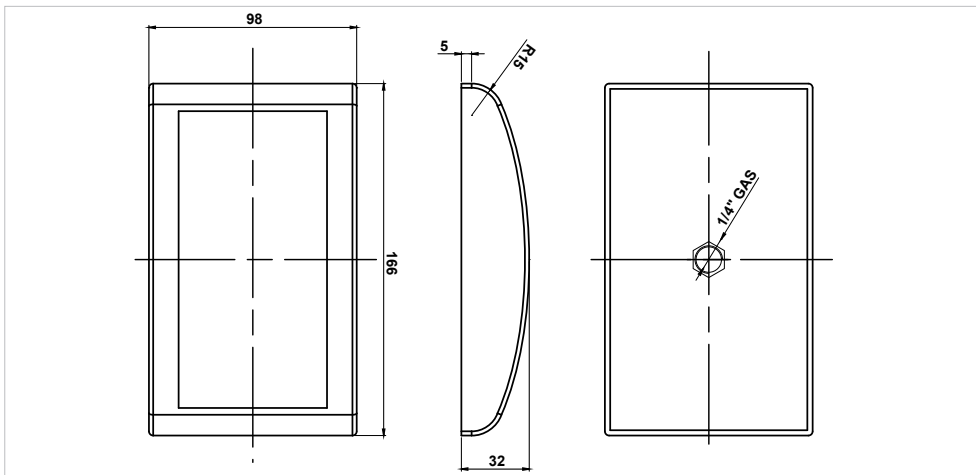




## TECHNICAL DATA SHEET



| I100 | Features          |      |
|------|-------------------|------|
|      | Air consumption   |      |
|      | 0.2 bar (2.9 psi) |      |
|      | L/min             | Cfm  |
|      | 2                 | 0.07 |

|                 |                                 |
|-----------------|---------------------------------|
| APPLICATION     | HOPPER AND SILO                 |
| POWDER          | FINE AND DUST (CEMENT AND LIME) |
| PROBLEM SOLVING | BRIDGE AND RAT-HOLING           |

### FEATURES

|                     |                                         |
|---------------------|-----------------------------------------|
| DUTY CICLE          | CONTINUOUS                              |
| WORKING PRESSURE    | 0.2 BAR (2.9 PSI)                       |
| PNEUMATIC CIRCUIT   | FILTER+FLOW CONTROL VALVE               |
| AIR SUPPLY QUALITY  | CLASS 5.4.1.                            |
| WORKING TEMPERATURE | FROM -20°C TO 80°C (FROM -4°F TO 176°F) |
| TECHNOLOGY          | FLUIDIFICATION                          |
| MATERIAL            | SINTERIZED PET FILTER   PS BODY         |